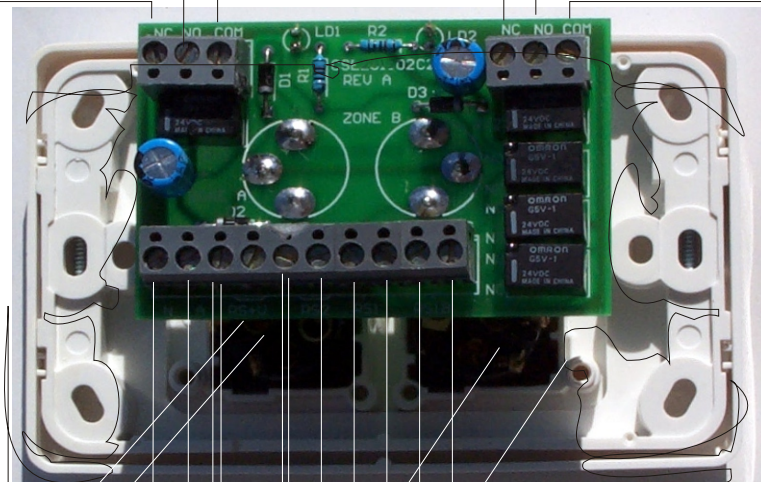


Manual Two Zone Switch Individual Zone's or average.

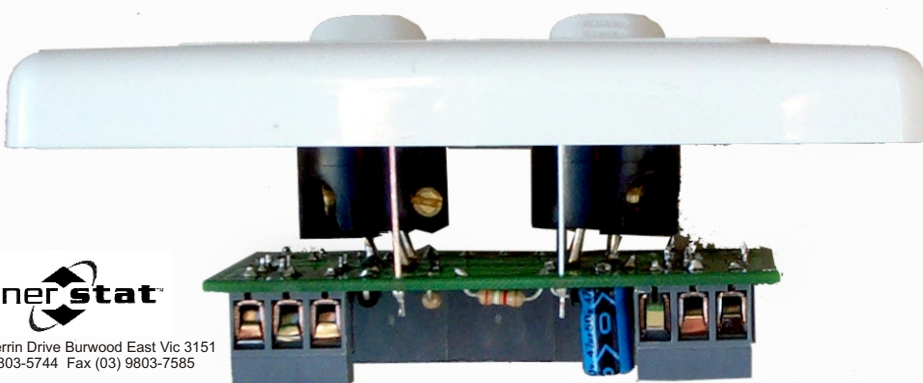
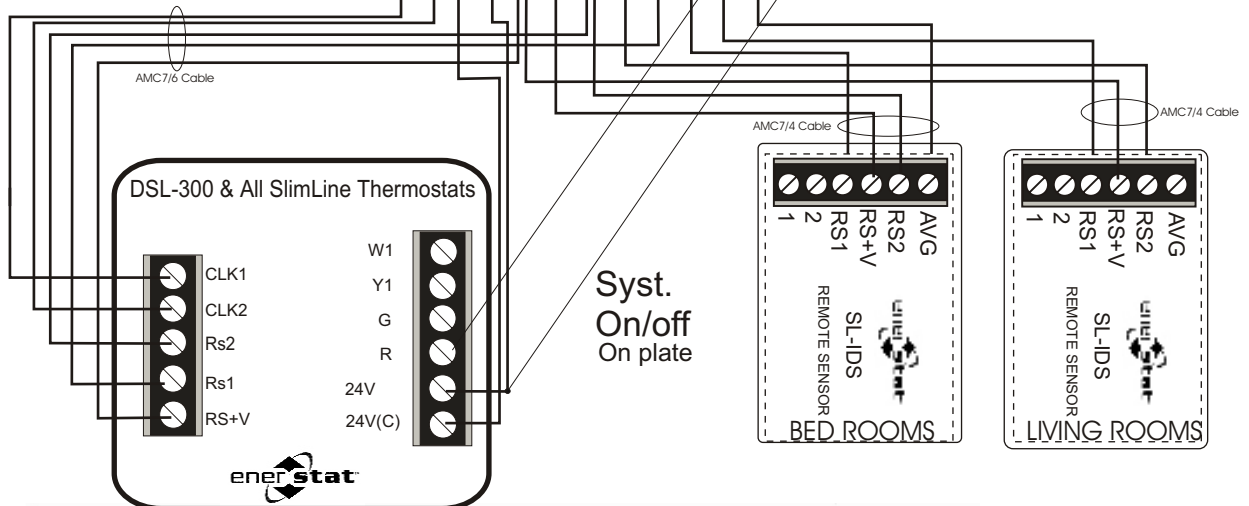


This Standard 2000 series 4 gang switch base accommodate a two Zone manual Zone Control that will allow either Zone to be selected with sensing in the selected Zone, or both Zones, in which case the two sensors will be averaged and both Zone Dampers will be open. It is not possible to turn off both Zones. If attempted a Zone will be selected as default. Dampers can be Spring Return or Driven both ways and are 24VAC. As well A system on/off switch is provided as well as Day/Night set points switch.



NEW

DAY/
Night
On plate



ALL CARE AND DILIGENCE HAS BEEN TAKEN IN THE PREPARATION OF THIS INTERFACE DIAGRAM. EN-MET PTY LTD WILL ONLY BE RESPONSIBLE FOR DAMAGE CAUSED TO THE enerstat PRODUCT, AND ONLY IF IT HAD BEEN CORRECTLY APPLIED IN ACCORDANCE WITH THE MANUFACTURES INSTRUCTIONS. IT IS THE DEALER / CONTRACTORS SOLE RESPONSIBILITY TO ENSURE CORRECT OPERATION OF THE MAJOR EQUIPMENT IS MAINTAINED.

