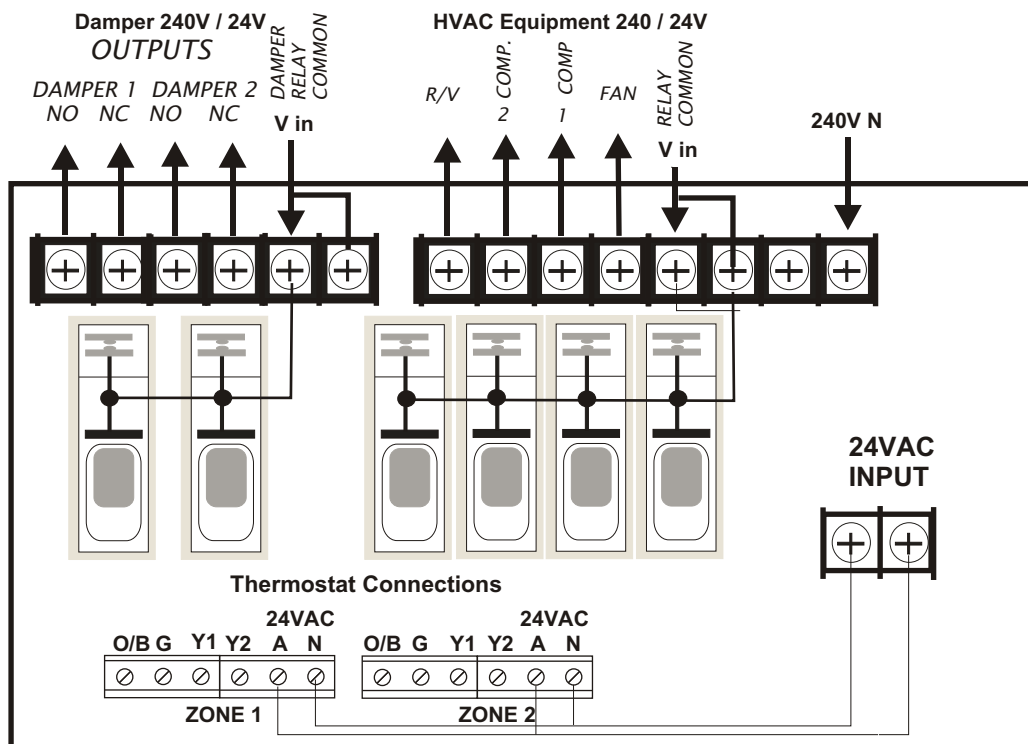


# enerstat™ NR2Z-P TWO ZONE CONTROLLER



The enerstat™ Two Zone Controller connects to two heat/cool thermostats and controls the heating and cooling equipment as shown above.

The damper outputs are changeover relays, so that normally open or normally closed dampers may be used. Isolated contacts are provided so either 24V or 240V can be used.

If Zone 1 calls for heating, and Zone 2 calls for cooling, Zone 1 will complete the heating, or continue for 10 to 20 minutes (time set by jumper), whichever comes first. Zone 1 damper then shuts, and Zone 2 damper opens and cooling is turned on. Jumper position 1-2 selects a 20 minute delay. Jumper position 2-3 selects a 10 minute delay.

The controller requires 24VAC to run the logic board and the thermostats.

The relays are rated at 5 amps maximum, except for the fan relay which may supply 10 amps. Total for all relays must not exceed 15 amps.



37 Benwerrin Drive Burwood East Vic 3151  
Ph (03) 9803-5744 Fax (03) 9803-7585