

Installation Instructions

It is recommended that installation be performed by a qualified installer.

Location

To ensure proper operation, the thermostat should be mounted on an inside wall in a frequently occupied area of the building. In addition, its position must be at least 18" (46cm) from any outside wall, and approximately 5' (1.5m) above the floor in a location with freely circulating air of an average temperature. You should avoid the following locations:

- behind doors or in corners where freely circulating air is unavailable
- where direct sunlight or radiant heat from appliances might affect control operation
- on an outside wall
- adjacent to, or in line with, conditioned air discharge grilles, stairwells, or outside doors
- where its operation may be affected by steam or water pipes or warm air stacks in an adjacent partition space, or by an unheated/uncooled area behind the thermostat
- where its operation will be affected by the supply air of an adjacent unit
- near sources of electrical interference such as arcing relay contacts

Removing the Thermostat from the Subbase

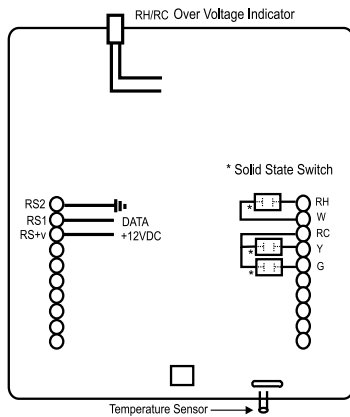
1. Insert a flat blade screwdriver or a coin 1/8" into the slot located in the bottom center of the thermostat case and twist 1/4 turn. When you feel or hear a click, grasp the case from the bottom two corners and separate from the subbase. Some models require more force than others when separating due to the number of terminals used.
2. Swing the thermostat out from the bottom.
3. Lift the thermostat up and off the subbase.
4. Place the rectangular opening in the subbase over the equipment control wires protruding from the wall and, using the subbase as a template, mark the location of the two mounting holes (exact vertical mounting is necessary only for appearance).

Wiring Diagram

Installer's Note

This thermostat is equipped with a transformer wiring fault indicator which alerts to over voltage. If the red light is on when the wiring is complete, you must check the equipment to ensure that the transformer is wired according to the transformer wiring diagram.

Note: Continued use of the thermostat with the red light on will damage the thermostat.



Terminal Designations

- RH**24 VAC from the heating equipment transformer
WEnergizes the heating equipment with a call for heating
RC24 VAC supply from cooling equipment transformer
YEnergizes cooling equipment with a call for cooling
GFan is energized with a call for heating or cooling or by pressing the FAN button
RS2Use to connect up to 6 (SL-IDS) indoor and/or 1 (SL-ODT) outdoor remote sensor/s. When connected the thermostat will automatically use the SL-IDS temperature sensor and not its own. Refer to the instructions included with the sensor.

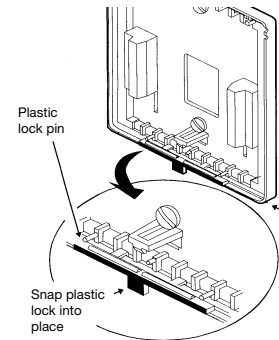
5. Using the supplied anchors and screws for mounting on drywall or plaster, drill 3/16" (5mm) diameter holes at the marked locations. Use a hammer to tap the nylon anchors in flush to the wall surface and fasten subbase using the supplied screws. (Do not overtighten!)
6. Connect the wires from your system to the thermostat terminals as shown in the wiring diagrams. Carefully dress the wires so that any excess is pushed back into the wall cavity or junction box. Ensure that the wires are flush to the plastic subbase. The access hole should be sealed or stuffed to prevent drafts from the wall affecting the thermostat.

Replacing the Thermostat on the Subbase

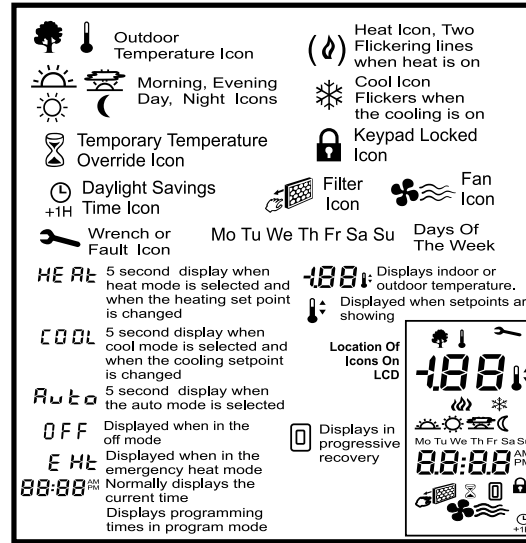
1. Position the thermostat on the hinged tabs at the top of the subbase.
2. Gently swing the thermostat down and press on the bottom center edge until it snaps in place.

Thermostat Cover Lock

If desired, insert the plastic lock piece into the bottom of the mounted base. The ends of the lock piece should fit snugly under the lock pins extending from the bottom of the mounted base. The tab in the middle of the lock piece should extend downward from the mounted base. To release the locking mechanism, press the lock piece up and into the base while gently prying open the cover at the same time. Use caution to avoid cracking the thermostat base or cover.



Description Of Icons



Display icons vary according to the model. Your thermostat may not display all of the icons shown.

Power Outages & Power Failures During Regular Program Schedule

Should your power fail at any time during the regular program, the thermostat will maintain the clock internally for up to 30 minutes. If the power has not been restored during this time period, the clock will stop. When the power is restored, the thermostat clock defaults to a flashing 12:00 AM.

DIP Switch Options and Functions

Positioning the DIP switches in either the ON or OFF position enables you to choose between two different options. The DIP switches are located on the interior of your thermostat and may be accessed by following the procedure for removing the thermostat from the subbase. The following list describes your DIP switch options.

DIP Switch No.	DIP Switch OFF	DIP Switch ON
1	4 minute minimum ON	2 minute minimum ON
2	Keypad unlock	Keypad lock
3	Fan immediate with heat call	Fan on with plenum switch

1. **2 Minute or 4 Minute On Times** This option allows you to run the equipment for either a 2 or 4 minute minimum off and on time.
2. **Keypad Lock** In the ON position locks out all buttons except the outdoor temperature button.
3. **Plenum Fan Switch** In the OFF position, the fan comes on immediately with a call for heat. In the ON position, the fan is controlled by the equipment (plenum switch control).

Single Transformer

If the fault indicator (over voltage indicator) is on, the transformer exceeds the allowed 30 VAC. Replace the transformer.

Two Transformers Separate or Single RH/RC Wire

If the fault indicator (overvoltage indicator) is on, the transformers are out of phase. Switch the secondary wires of one of the transformers (not both) and ensure that the red light goes off.

Installing the Resistor (Provided)

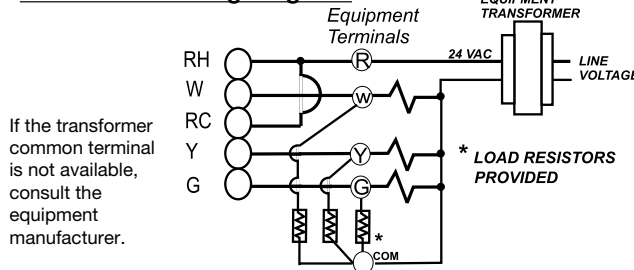
Programmable thermostats with solid state equipment outputs require a minimum of 80 mA AC (0.08A) of current draw to ensure switching integrity.

1. The installer must be a qualified service technician.
2. Read the instructions carefully. Failure to do so may damage the product or cause a hazardous condition.
3. Connect the resistor leads to the equipment terminal strip across the W,Y, or G (as required) and the 24VAC common terminals. Avoid contact with any other terminals or components within the equipment. Connect either end of the resistor to the terminals (nonpolarized) and firmly tighten the screw terminals.

Notice

The resistor will become warm during equipment operation. This is normal.

Transformer Wiring Diagram



If the transformer common terminal is not available, consult the equipment manufacturer.

The thermostat will be held in the Night program until the user resets the clock. The thermostat will display AC when the 24 VAC is not powered. One of the unique features of your thermostat is that there is no battery required to maintain your selected setpoints in the event of a power loss, since the memory is unaffected by power failures of any duration. There is no reason to reprogram the setpoint temperatures or start times since the thermostat will retain these program parameters.

2 (Two) Year Limited Warranty

The manufacturer warrants to the original purchaser that its product and component parts will be free from defects in workmanship and materials for a period of 2 (two) years from the date of purchase. Return to the original point of purchase for replacement of your product.

Warranty Limitations

This warranty begins at date of purchase.

Warranty is Void if:

- The date code is defaced or removed.
- The product has a defect or damage due to product alteration, connection to an improper electrical supply, shipping and handling, accident, fire, flood, lightning, or other conditions beyond the control of the manufacturer.
- The product is not installed according to the manufacturers instructions and specifications.
- The product has been installed near sources of electromagnetic interference (EMI) such as arcing relay contact.

Owner's Responsibility

- Provide proof of purchase
- Provide normal care and maintenance.
- Pay for freight, labor and travel.
- Pay for service calls related to product installation.
- Return any defective product.
- In no event shall the manufacturer be liable for incidental or consequential damages.
- This warranty gives you specific legal rights and you may have others which vary by state and/or province. For example, some states and/or provinces do not allow the exclusion or limitation of incidental or consequential damages so this exclusion may not apply to you.
- The manufacturer's continuing commitment to quality products may require a change in specifications without notice.

This equipment, if installed in strict accordance with the manufacturer's instructions, complies with the limits for a Class B computing device pursuant to Subpart J of Part 15 of FCC rules.

Specifications

- Rated Voltage**20-30 VAC, 24 nominal
Rated A.C. Current0.08 Amps to 1.5 Amps continuous per output with surges to 4 Amps Max.
Control RangeHeating: 38° to 88°F in 1° Steps
 5° to 30°C in 1° Steps
 Cooling: 60° to 108°F in 1° Steps
 16° to 40°C in 1° Steps

- Thermostat Measurement Range**28° to 124°F or 0° to 48°C
O.D.T. Displayed Range-50° to 119°F or -48° to 47°C
Control Accuracy±.5°C at 20°C
 ±1°F at 68°F
Minimum Deadband(between heating and cooling)
 2°F or 1°C

NOTE: This thermostat contains electronic circuitry replacing the conventional mechanical anticipator.